



LOADING UNIT FOR FREE PROOFING BREADS

Akrobat Fixbox



AKROBAT & FIXBOX

Loading system AKROBAT & FIXBOX is additional unit for automatized bread producing lines CENTRAL COMPUTER OPERATION, that enables quick loading of products, which are proofing freely on a boards, without scutters.

How it works:

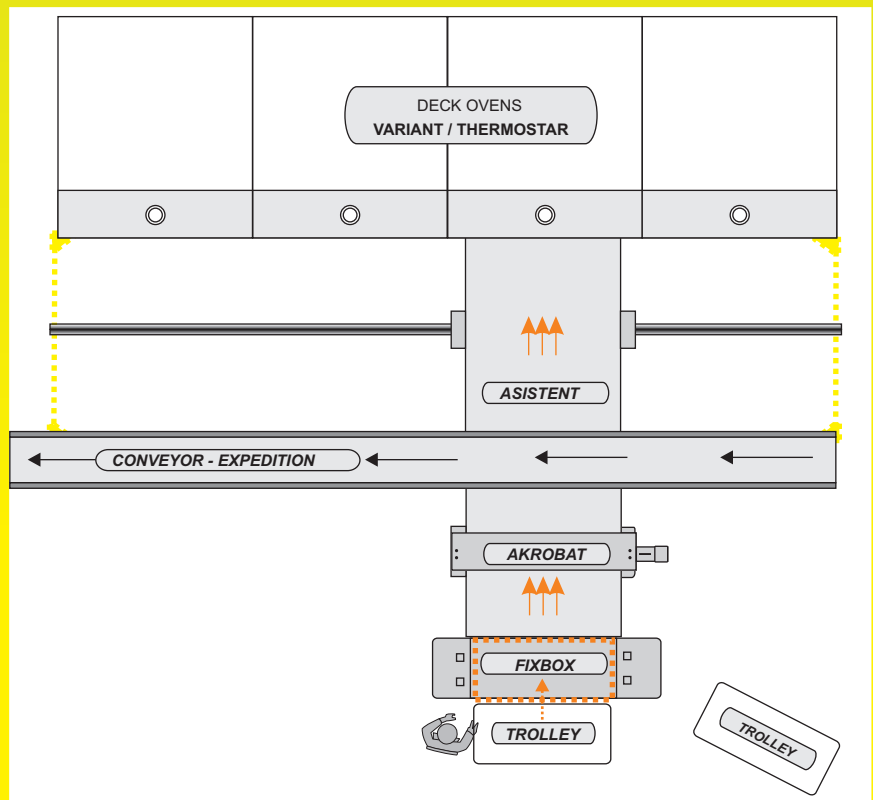
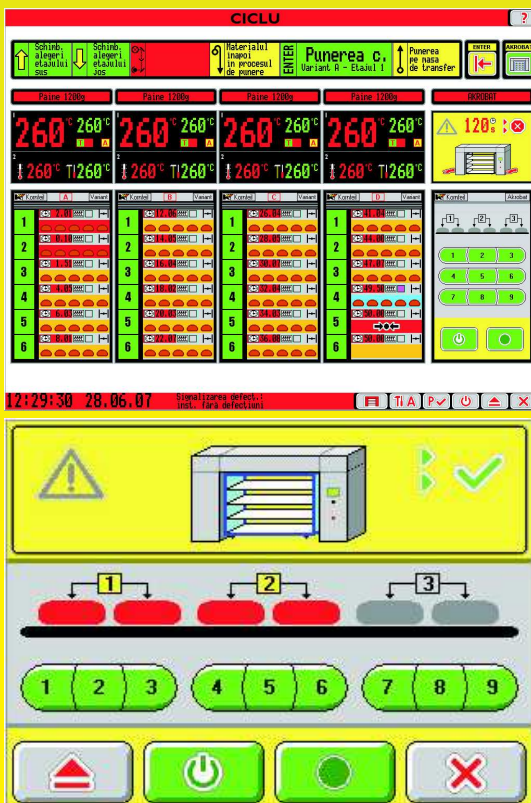
CENTRAL COMPUTER OPERATION - automatized bread producing lines consisting of several deck ovens, operated by loading and unloading unit ASISTENT, transport conveyors, operating tables .. etc., simply with what suits the customer's visions and requirements.
Baking power of such a lines while using Akrobat & Fixbox from 200 up to 1000 kg / hour.

The dough is manually placed in special trolleys on fabric covered boards, on which the proofing proceeds. After the dough is proofed, staff removes the trolley and pass it to the automatized line "Central computer operation" with Akrobat & Fixbox implementation, which is going to overtake all the remaining responsibility regarding the bread manipulation and loads the dough directly in to the oven. Thanks to this feature, line request less people for its operation and becomes more effective.

Automatized baking of free proofing products has never been easier...

Advantages :

- Dough proofs directly on the board trolley in the box proofer
- Automatized baking of free proofing breads
- Computer controlled baking that ensures stable quality
- Wide range productive baking output using traditional deck oven
- Baking power from 200 - 1 000 kg/hod





We propose you the production lines solution that best suits your requirements... no matter what kind of...

Propose of use:

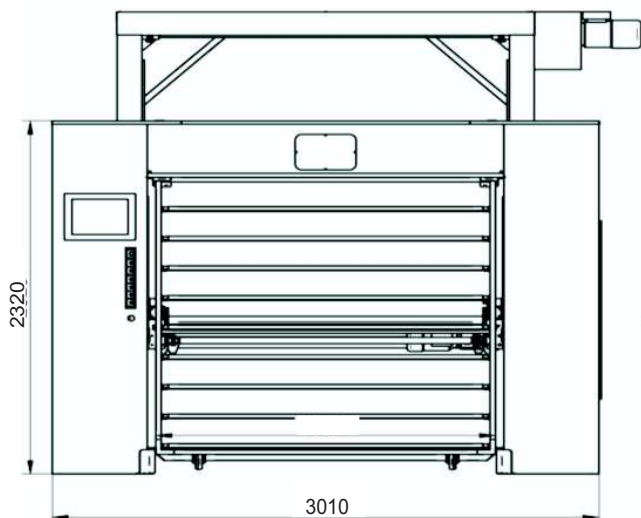
- Free proofing breads in range 300-2500g
- Special breads
 - cereal
 - typical large volumed hungarian breads
- French loaf
- White pastry also from weight of 100 g
- Ciabattas
- Special arabic breads
- Pitas



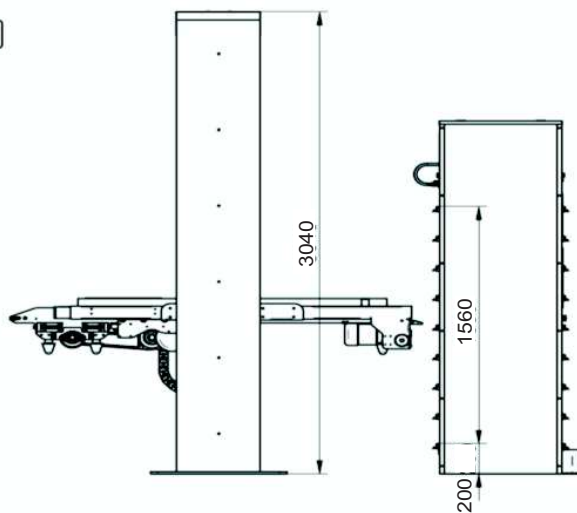
Trolley with fabrics boards with dough prepared for proofing

Instalation scheme:

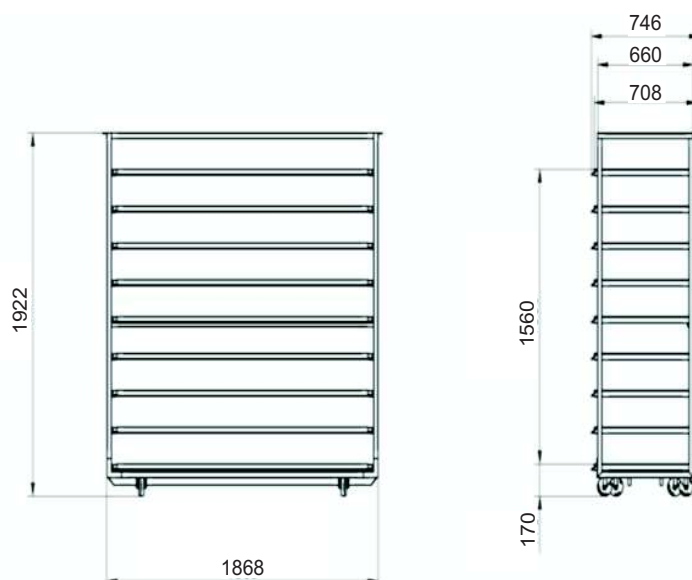
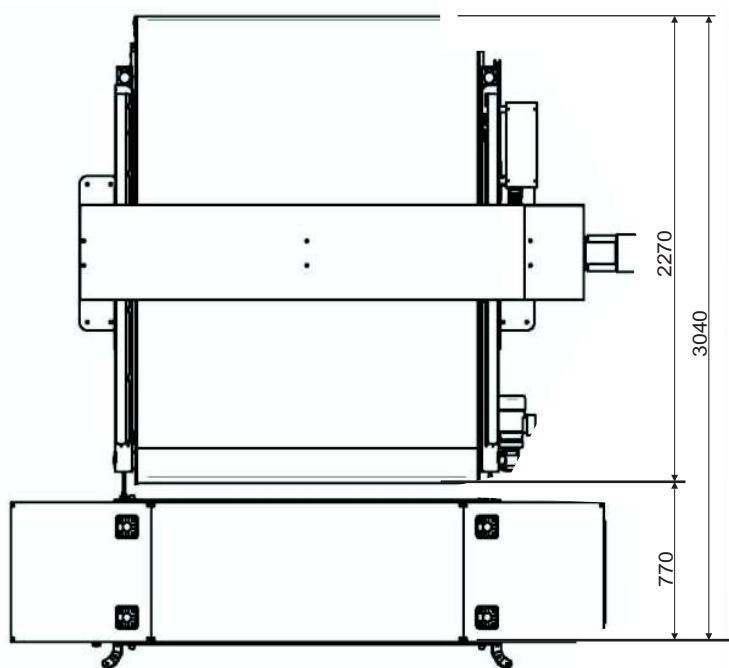
outline :



side view :



top view :



Technical dates	Number of decks	Board dimensions	El. connection	Air pressure
AKROBAT 180/200	9	--	1,35 kW	--
AKROBAT 180/240	9	--	1,35 kW	--
FIXBOX 180/70	9	1800 x 700	0,05 kW	0,6 Mpa
FIXBOX 180/80	9	1800 x 800	0,05 kW	0,6 Mpa



KORNFEIL
 spol. s r.o. ČEJČ

WWW.KORNFEIL.CZ

MANUFACTURING - SALE - ASSEMBLING - SERVICE

KORNFEIL, spol. s r.o., 696 14 ČEJČ 66, tel. : 518 309 611, fax : 518 309 610 , e-mail : kornfeil@kornfeil.cz

HIGH QUALITY - MODERATE PRICES - RELIABLE PARTNER FOR YOUR FUTURE